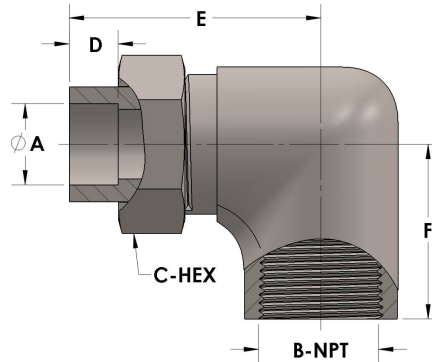


Product Category

H822-12-16-S

Part Description

Tube to Female Pipe Thread Elbow Assembly



## DIMENSIONS

A	0.750
B-NPT	1.000" - 11.5
C-HEX	1.38
D	0.440
E	2.94
F	2.19

## GENERAL

Pressure Rating	6000 PSI
Assembly Material	Carbon Steel, ASTM A108
O-Ring Material	Viton® Fluorocarbon Type 1, Class 2 (90 durometer)
Connection 1 Type	Female Tube Socket
Connection 1 Size	3/4" Tube O.D. (-12)
Connection 2 Type	Female Pipe Thread
Connection 2 Size	1" NPT (-16)