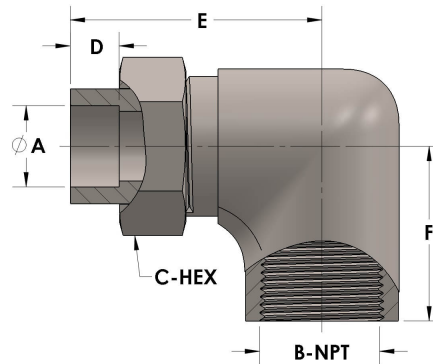


Product Category

H822-16-16-SS316L

Part Description

Tube to Female Pipe Thread Elbow Assembly



## DIMENSIONS

A	1.000
B-NPT	1.000" - 11.5
C-HEX	1.63
D	0.500
E	3.00
F	2.19

## GENERAL

Pressure Rating	4500 PSI
Assembly Material	316/L Stainless Steel, ASTM A276, UNS S31600/03
O-Ring Material	Viton® Fluorocarbon Type 1, Class 2 (90 durometer)
Connection 1 Type	Female Tube Socket
Connection 1 Size	1" Tube O.D. (-16)
Connection 2 Type	Female Pipe Thread
Connection 2 Size	1" NPT (-16)