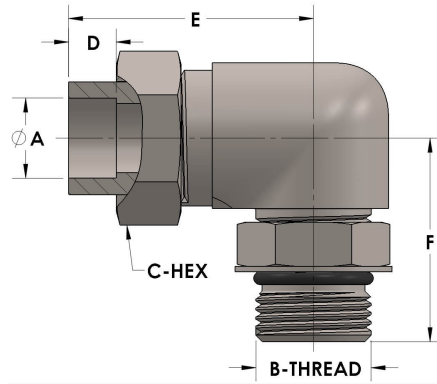


Product Category

H823-10-12-M

Part Description

Tube to Male Straight Thread Elbow Assembly



DIMENSIONS

A	0.630
B-THREAD	1.063" - 12UN
C-HEX	1.38
D	0.380
E	2.19
F	1.94

GENERAL

Pressure Rating	6000 PSI
Assembly Material	Monel®, ASTM B164, UNS N04405
O-Ring Material	Viton® Fluorocarbon Type 1, Class 2 (90 durometer)
Connection 1 Type	Female Tube Socket
Connection 1 Size	5/8" Tube O.D. (-10)
Connection 2 Type	Male Straight Thread
Connection 2 Size	1.063" - 12UN (-12)