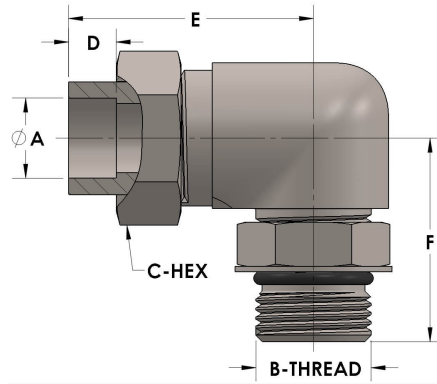


Product Category

H823-16-16-S

Part Description

Tube to Male Straight Thread Elbow Assembly



DIMENSIONS

A	1.000
B-THREAD	1.313" - 12UN
C-HEX	1.63
D	0.500
E	2.75
F	2.06

GENERAL

Pressure Rating	3000 PSI
Assembly Material	Carbon Steel, ASTM A108
O-Ring Material	Viton® Fluorocarbon Type 1, Class 2 (90 durometer)
Connection 1 Type	Female Tube Socket
Connection 1 Size	1" Tube O.D. (-16)
Connection 2 Type	Male Straight Thread
Connection 2 Size	1.313" - 12UN (-16)