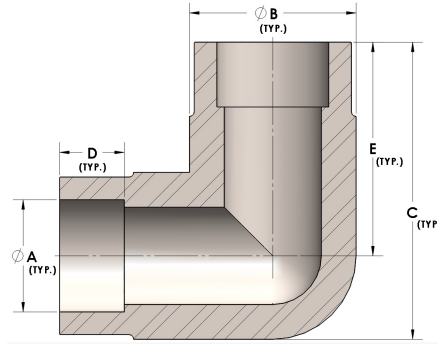


Product Category

H840-06-M

Part Description

Direct Socketweld/Braze 90° Elbow (Tube)



## DIMENSIONS

A	0.380
B	0.63
C	1.13
D	0.250
E	0.81

## GENERAL

Pressure Rating	4500 PSI
Fitting Material	Monel®, ASTM B164, UNS N04405