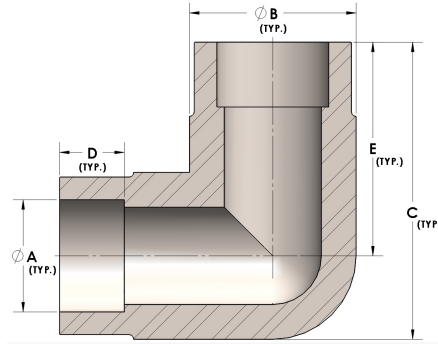


Product Category

H840-08-CUNI

Part Description

Direct Socketweld/Braze 90° Elbow (Tube)



DIMENSIONS

A	0.500
B	0.75
C	1.44
D	0.310
E	1.06

GENERAL

Pressure Rating	3000 PSI
Fitting Material	Copper Nickel 70/30, MIL-C--15726F, UNS C71500