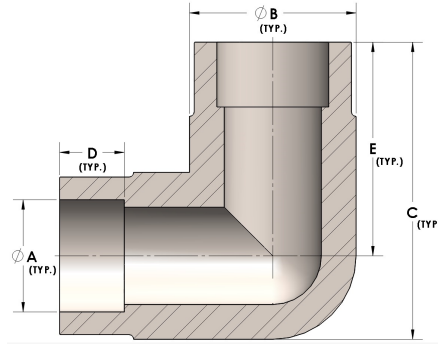


Product Category

H840-08-S

Part Description

Direct Socketweld/Braze 90° Elbow (Tube)



## DIMENSIONS

|   |       |
|---|-------|
| A | 0.500 |
| B | 0.75  |
| C | 1.44  |
| D | 0.310 |
| E | 1.06  |

## GENERAL

|                  |                         |
|------------------|-------------------------|
| Pressure Rating  | 6000 PSI                |
| Fitting Material | Carbon Steel, ASTM A108 |