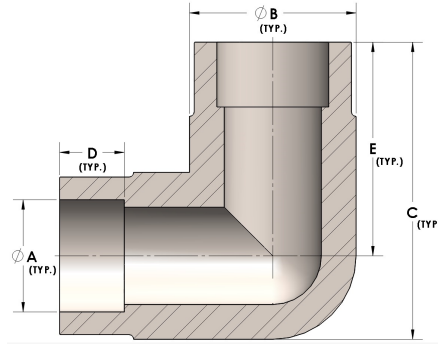


Product Category

H840-10-CUNI

Part Description

Direct Socketweld/Braze 90° Elbow (Tube)



## DIMENSIONS

|   |       |
|---|-------|
| A | 0.630 |
| B | 0.88  |
| C | 1.63  |
| D | 0.380 |
| E | 1.19  |

## GENERAL

|                  |  |
|------------------|--|
| Pressure Rating  | 2500 PSI                                       |
| Fitting Material | Copper Nickel 70/30, MIL-C--15726F, UNS C71500 |