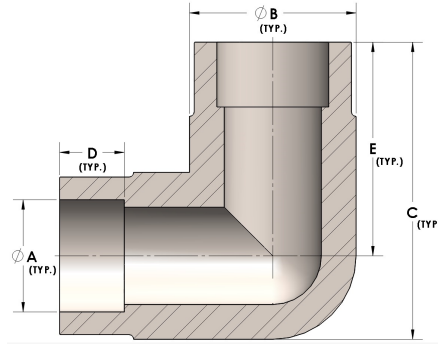


Product Category

H840-24-CUNI

Part Description

Direct Socketweld/Braze 90° Elbow (Tube)



## DIMENSIONS

A	1.500
B	1.88
C	3.13
D	0.630
E	2.19

## GENERAL

Pressure Rating	2000 PSI
Fitting Material	Copper Nickel 70/30, MIL-C--15726F, UNS C71500