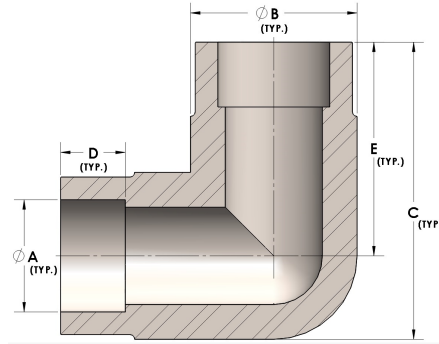


Product Category

H840-24-SS316L

Part Description

Direct Socketweld/Braze 90° Elbow (Tube)



## DIMENSIONS

<b>A</b>	1.500
<b>B</b>	2.38
<b>C</b>	3.56
<b>D</b>	0.630
<b>E</b>	2.19

## GENERAL

<b>Pressure Rating</b>	3000 PSI
<b>Fitting Material</b>	316/L Stainless Steel, ASTM A276, UNS S31600/03