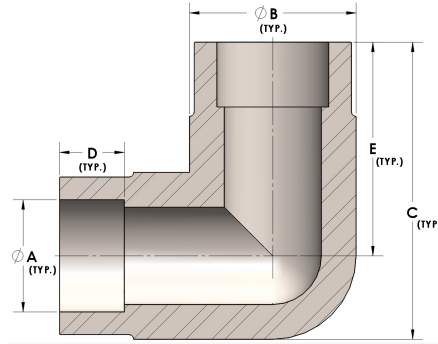


Product Category

H840-32-SS316L

Part Description

Direct Socketweld/Braze 90° Elbow (Tube)



DIMENSIONS

| | |
|---|-------|
| A | 2.000 |
| B | 2.75 |
| C | 4.25 |
| D | 0.880 |
| E | 2.88 |

GENERAL

| | |
|------------------|---|
| Pressure Rating | 4500 PSI |
| Fitting Material | 316/L Stainless Steel, ASTM A276, UNS S31600/03 |