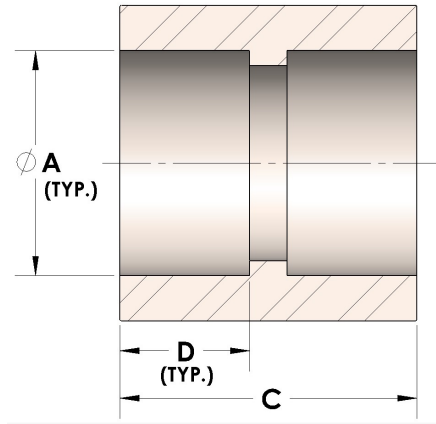


Product Category
Part Description

H847-24-CUNI
Direct Socketweld/Braze Coupling (Tube)



DIMENSIONS

A	1.500
C	1.38
D	0.630

GENERAL

Pressure Rating	2500 PSI
Fitting Material	Copper Nickel 70/30, MIL-C--15726F, UNS C71500