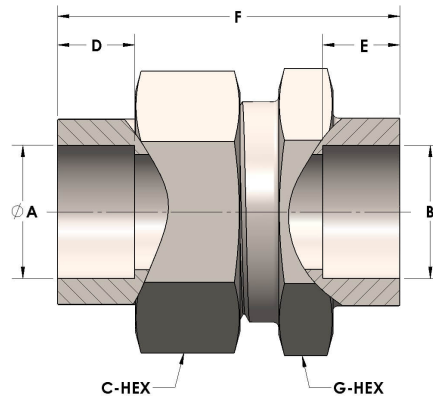


Product Category

H849-12-M

Part Description

Socketweld/braze Tube Union Assembly



## DIMENSIONS

A	0.750
B	0.75
C-HEX	1.38
D	0.440
E	0.44
F	1.94
G-HEX	1.38

## GENERAL

Pressure Rating	6000 PSI
Assembly Material	Monel®, ASTM B164, UNS N04405
O-Ring Material	Viton® Fluorocarbon Type 1, Class 2 (90 durometer)
Connection 1 Type	Female Tube Socket
Connection 1 Size	3/4" Tube O.D. (-12)
Connection 2 Type	Female Tube Socket
Connection 2 Size	3/4" Tube O.D. (-12)