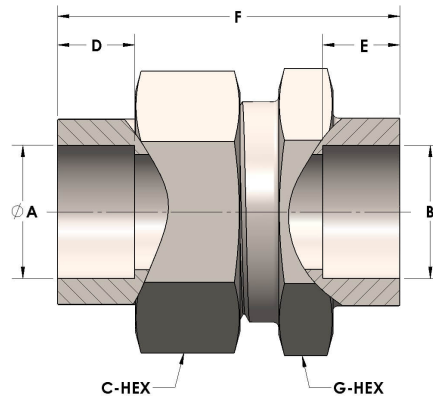


Product Category

H849-20-SS316L

Part Description

Socketweld/braze Tube Union Assembly



DIMENSIONS

A	1.250
B	1.25
C-HEX	2
D	0.560
E	0.56
F	2.31
G-HEX	1.88

GENERAL

Pressure Rating	3000 PSI
Assembly Material	316/L Stainless Steel, ASTM A276, UNS S31600/03
O-Ring Material	Viton® Fluorocarbon Type 1, Class 2 (90 durometer)
Connection 1 Type	Female Tube Socket
Connection 1 Size	1.25" Tube O.D. (-20)
Connection 2 Type	Female Tube Socket
Connection 2 Size	1.25" Tube O.D. (-20)