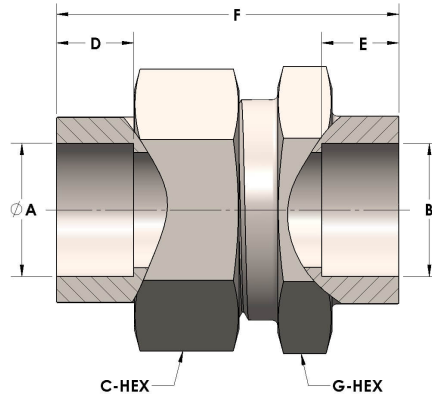


Product Category

H849-32-M

Part Description

Socketweld/braze Tube Union Assembly



DIMENSIONS

A	2.000
B	2.00
C-HEX	3.25
D	0.880
E	0.88
F	3.19
G-HEX	3

GENERAL

Pressure Rating	6000 PSI
Assembly Material	Monel®, ASTM B164, UNS N04405
O-Ring Material	Viton® Fluorocarbon Type 1, Class 2 (90 durometer)
Connection 1 Type	Female Tube Socket
Connection 1 Size	2.00" Tube O.D. (-32)
Connection 2 Type	Female Tube Socket
Connection 2 Size	2.00" Tube O.D. (-32)