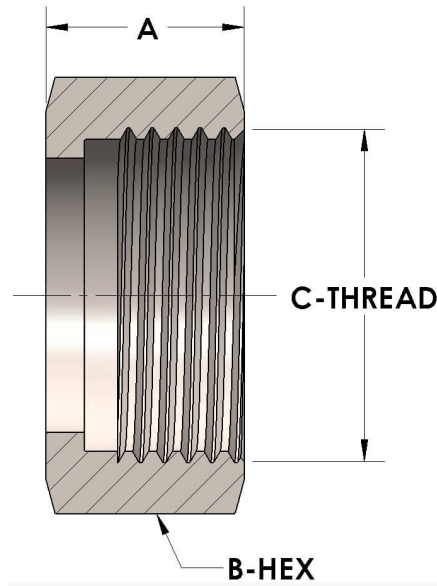


Product Category

H850N-02-BR

Part Description

Union Nut



DIMENSIONS

A	0.380
B-HEX	0.5
C-THREAD	.438" - 20UNF

GENERAL

Pressure Rating	3000 PSI
Union Nut Material	Naval Brass, ASTM B21, UNS C46400