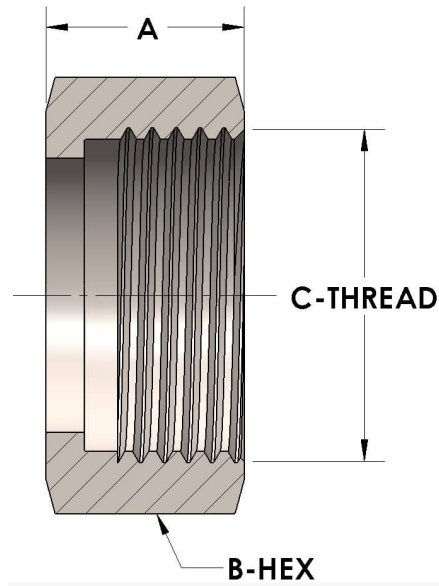


Product Category

H850N-04-SS316L

Part Description

Union Nut



DIMENSIONS

A	0.380
B-HEX	0.63
C-THREAD	.563" - 18 UNF

GENERAL

Pressure Rating	6000 PSI
Union Nut Material	316/L Stainless Steel, ASTM A276, UNS S31600/03