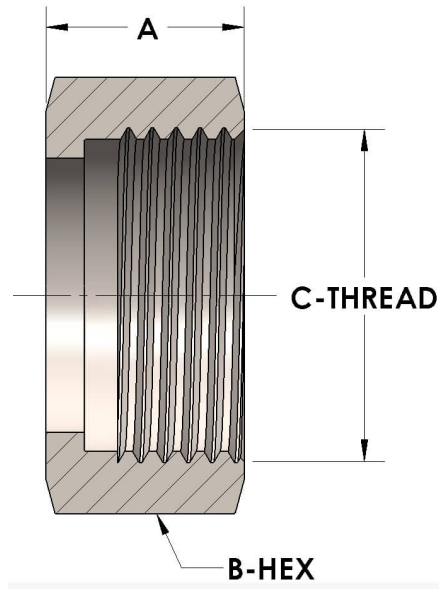


Product Category

H850N-06-S

Part Description

Union Nut



## DIMENSIONS

A	0.440
B-HEX	0.81
C-THREAD	.688" - 16UN

## GENERAL

Pressure Rating	6000 PSI
Union Nut Material	Carbon Steel, ASTM A108