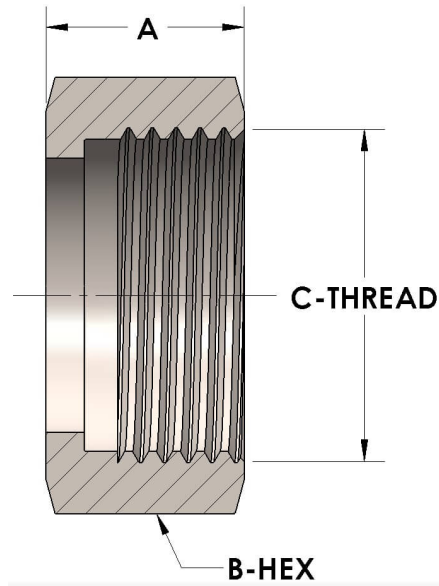


Product Category

H850N-06-SS316L

Part Description

Union Nut



DIMENSIONS

A	0.440
B-HEX	0.81
C-THREAD	.688" - 16UN

GENERAL

Pressure Rating	6000 PSI
Union Nut Material	316/L Stainless Steel, ASTM A276, UNS S31600/03