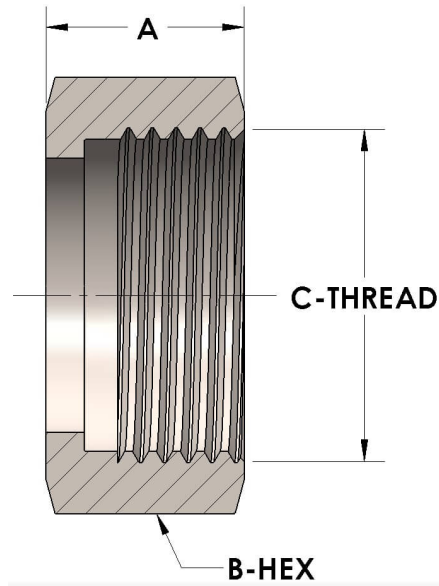


Product Category

H850N-08-NAB

Part Description

Union Nut



DIMENSIONS

A	0.500
B-HEX	0.94
C-THREAD	.813" - 16UN

GENERAL

Pressure Rating	6000 PSI
Union Nut Material	Nickel Aluminum Bronze, ASTM B150, UNS C63200