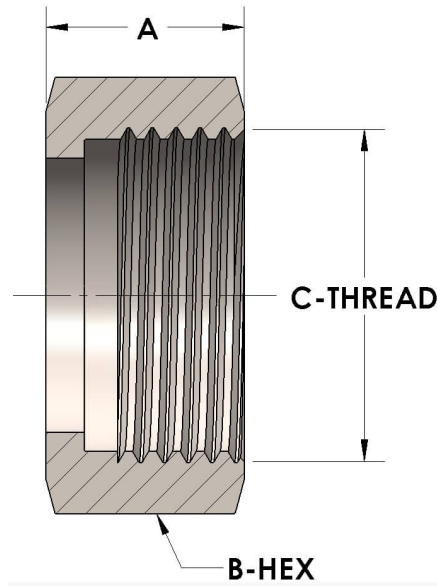


Product Category

H850N-08-SS316L

Part Description

Union Nut



DIMENSIONS

| | |
|----------|--------------|
| A | 0.500 |
| B-HEX | 0.94 |
| C-THREAD | .813" - 16UN |

GENERAL

| | |
|--------------------|---|
| Pressure Rating | 6000 PSI |
| Union Nut Material | 316/L Stainless Steel, ASTM A276, UNS S31600/03 |