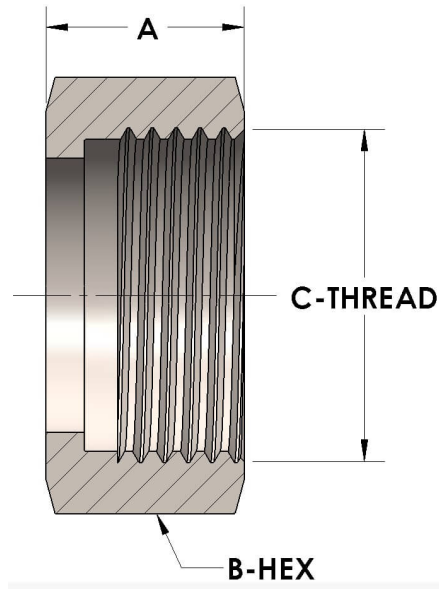


Product Category
Part Description

H850N-10-NAB
Union Nut



DIMENSIONS

A	0.590
B-HEX	1.13
C-THREAD	1.000" - 14UNS

GENERAL

Pressure Rating	6000 PSI
Union Nut Material	Nickel Aluminum Bronze, ASTM B150, UNS C63200