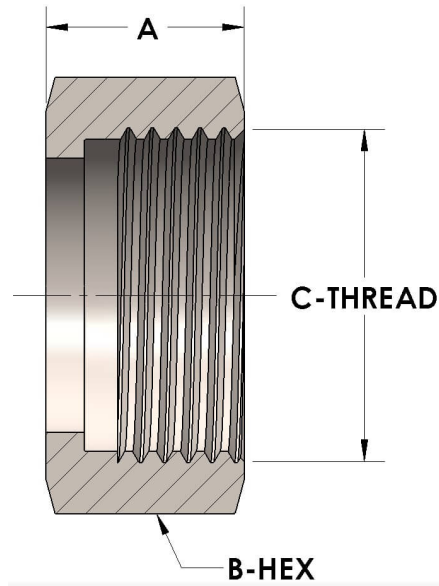


Product Category
Part Description

H850N-12-NAB
Union Nut



DIMENSIONS

A	0.590
B-HEX	1.38
C-THREAD	1.250" - 12UNF

GENERAL

Pressure Rating	6000 PSI
Union Nut Material	Nickel Aluminum Bronze, ASTM B150, UNS C63200