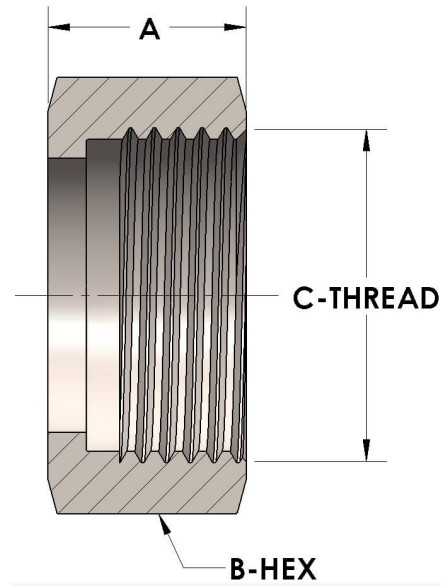


Product Category

H850N-12-SS316L

Part Description

Union Nut



DIMENSIONS

A	0.590
B-HEX	1.38
C-THREAD	1.250" - 12UNF

GENERAL

Pressure Rating	6000 PSI
Union Nut Material	316/L Stainless Steel, ASTM A276, UNS S31600/03