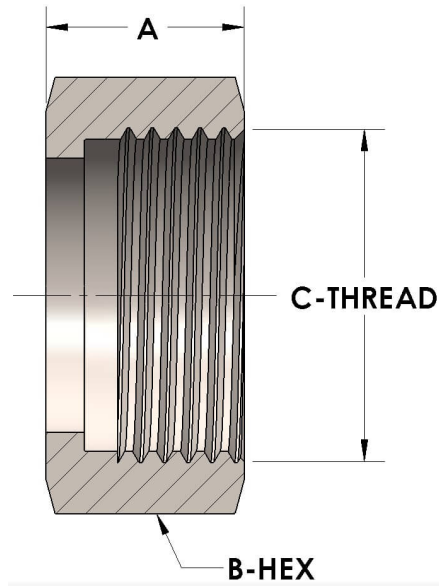


Product Category

H850N-16-S

Part Description

Union Nut



DIMENSIONS

A	0.750
B-HEX	1.63
C-THREAD	1.500" - 12UNF

GENERAL

Pressure Rating	6000 PSI
Union Nut Material	Carbon Steel, ASTM A108