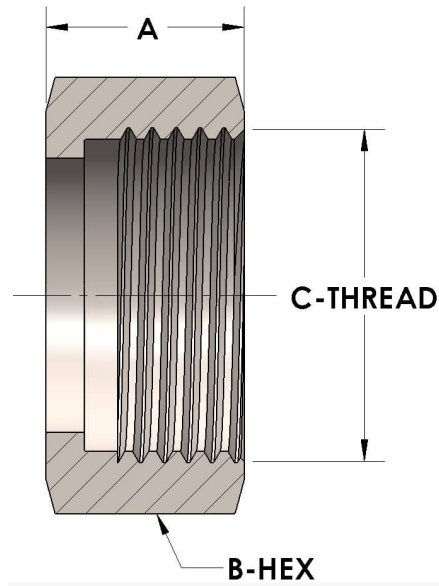


Product Category

H850N-20-NAB

Part Description

Union Nut



DIMENSIONS

A	0.750
B-HEX	2
C-THREAD	1.750" - 12UN

GENERAL

Pressure Rating	6000 PSI
Union Nut Material	Nickel Aluminum Bronze, ASTM B150, UNS C63200