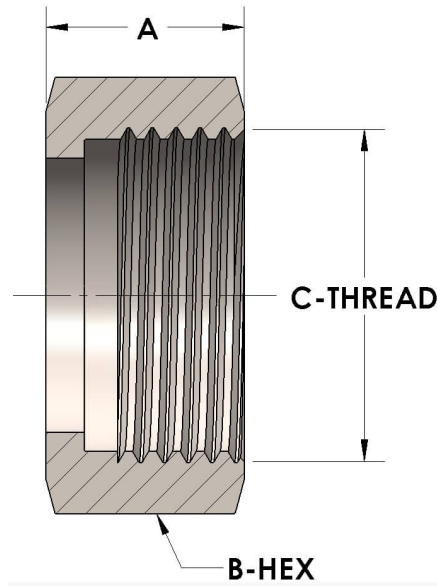


Product Category

H850N-20-SS316L

Part Description

Union Nut



## DIMENSIONS

A	0.750
B-HEX	2
C-THREAD	1.750" - 12UN

## GENERAL

Pressure Rating	6000 PSI
Union Nut Material	316/L Stainless Steel, ASTM A276, UNS S31600/03