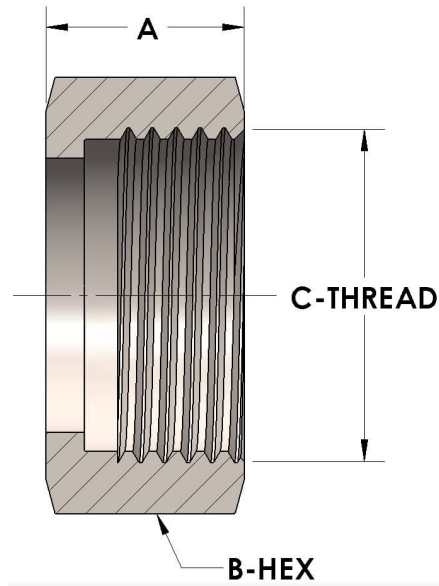


Product Category
Part Description

H850N-24-NAB
Union Nut



DIMENSIONS

A	0.810
B-HEX	2.38
C-THREAD	2.125" - 12UN

GENERAL

Pressure Rating	6000 PSI
Union Nut Material	Nickel Aluminum Bronze, ASTM B150, UNS C63200