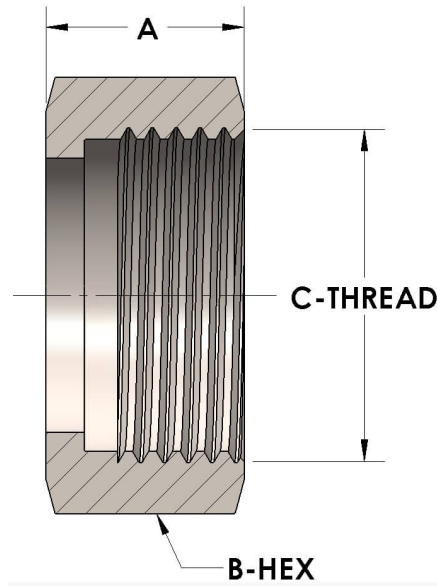


Product Category

H850N-32-NAB

Part Description

Union Nut



DIMENSIONS

| | |
|----------|--------------|
| A | 0.810 |
| B-HEX | 3.25 |
| C-THREAD | 2.875" -12UN |

GENERAL

| | |
|--------------------|---|
| Pressure Rating | 6000 PSI |
| Union Nut Material | Nickel Aluminum Bronze, ASTM B150, UNS C63200 |