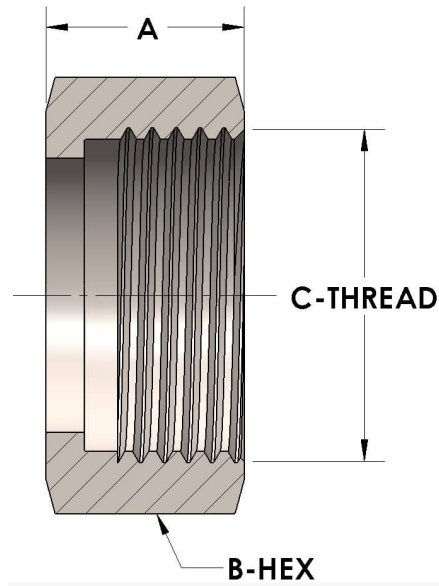


Product Category

H850N-32-S

Part Description

Union Nut



DIMENSIONS

A	0.810
B-HEX	3.25
C-THREAD	2.875" -12UN

GENERAL

Pressure Rating	6000 PSI
Union Nut Material	Carbon Steel, ASTM A108