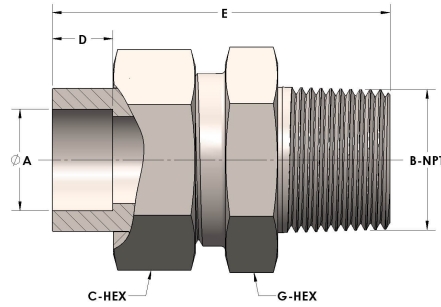


Product Category

H854-02-04-SS316L

Part Description

Tube to Male Pipe Thread Union Assembly



## DIMENSIONS

A	0.130
B-NPT	1/4" - 18
C-HEX	0.63
D	0.190
E	1.56
G-HEX	0.63

## GENERAL

Pressure Rating	6000 PSI
Assembly Material	316/L Stainless Steel, ASTM A276, UNS S31600/03
O-Ring Material	Viton® Fluorocarbon Type 1, Class 2 (90 durometer)
Connection 1 Type	Female Tube Socket
Connection 1 Size	1/8" Tube O.D. (-02)
Connection 2 Type	Male Pipe Thread
Connection 2 Size	1/4" NPT (-04)