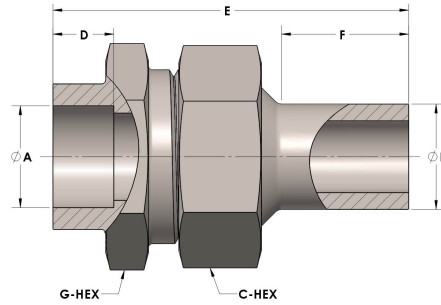


Product Category

H863-04-S

Part Description

Socketweld/braze Tube to Male Tube Union Assembly



DIMENSIONS

A	0.250
B	0.25
C-HEX	0.63
D	0.190
E	1.31
F	0.44
G-HEX	0.63

GENERAL

Pressure Rating	6000 PSI
Assembly Material	Carbon Steel, ASTM A108
O-Ring Material	Viton® Fluorocarbon Type 1, Class 2 (90 durometer)
Connection 1 Type	Female Tube Socket
Connection 1 Size	1/4" Tube O.D. (-04)
Connection 2 Type	Female Tube Socket
Connection 2 Size	1/4" Tube O.D. (-04)