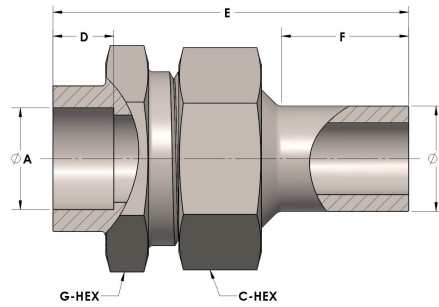


Product Category

H863-06-SS316L

Part Description

Socketweld/braze Tube to Male Tube Union Assembly



DIMENSIONS

A	0.380
B	0.38
C-HEX	0.81
D	0.250
E	1.69
F	0.56
G-HEX	0.75

GENERAL

Pressure Rating	6000 PSI
Assembly Material	316/L Stainless Steel, ASTM A276, UNS S31600/03
O-Ring Material	Viton® Fluorocarbon Type 1, Class 2 (90 durometer)
Connection 1 Type	Female Tube Socket
Connection 1 Size	3/8" Tube O.D. (-06)
Connection 2 Type	Female Tube Socket
Connection 2 Size	3/8" Tube O.D. (-06)