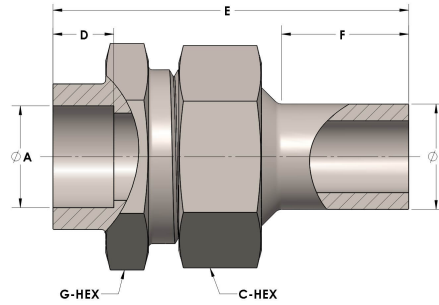


Product Category

H863-12-SS316L

Part Description

Socketweld/braze Tube to Male Tube Union Assembly



DIMENSIONS

| | |
|-------|-------|
| A | 0.750 |
| B | 0.75 |
| C-HEX | 1.38 |
| D | 0.440 |
| E | 2.56 |
| F | 0.94 |
| G-HEX | 1.38 |

GENERAL

| | |
|-------------------|--|
| Pressure Rating | 6000 PSI |
| Assembly Material | 316/L Stainless Steel, ASTM A276, UNS S31600/03 |
| O-Ring Material | Viton® Fluorocarbon Type 1, Class 2 (90 durometer) |
| Connection 1 Type | Female Tube Socket |
| Connection 1 Size | 3/4" Tube O.D. (-12) |
| Connection 2 Type | Female Tube Socket |
| Connection 2 Size | 3/4" Tube O.D. (-12) |