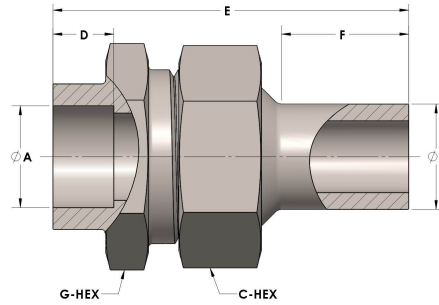


Product Category

H863-20-M

Part Description

Socketweld/braze Tube to Male Tube Union Assembly



DIMENSIONS

A	1.250
B	1.25
C-HEX	2
D	0.560
E	3.13
F	1.25
G-HEX	1.88

GENERAL

Pressure Rating	4500 PSI
Assembly Material	Monel®, ASTM B164, UNS N04405
O-Ring Material	Viton® Fluorocarbon Type 1, Class 2 (90 durometer)
Connection 1 Type	Female Tube Socket
Connection 1 Size	1.25" Tube O.D. (-20)
Connection 2 Type	Female Tube Socket
Connection 2 Size	1.25" Tube O.D. (-20)