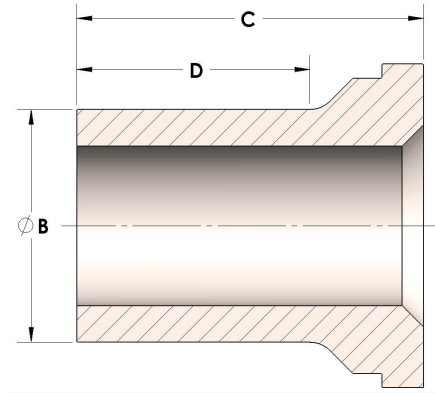


Product Category

H863R-02-M

Part Description

Male Tube Weld Tailpiece



DIMENSIONS

B	0.13
C	0.75
D	0.500

GENERAL

Pressure Rating	6000 PSI
Tailpiece Material	Monel®, ASTM B164, UNS N04405