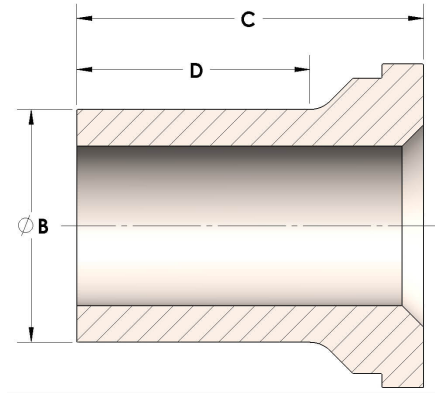


Product Category

H863R-02-S

Part Description

Male Tube Weld Tailpiece



DIMENSIONS

B	0.13
C	0.75
D	0.500

GENERAL

Pressure Rating	6000 PSI
Tailpiece Material	Carbon Steel, ASTM A108