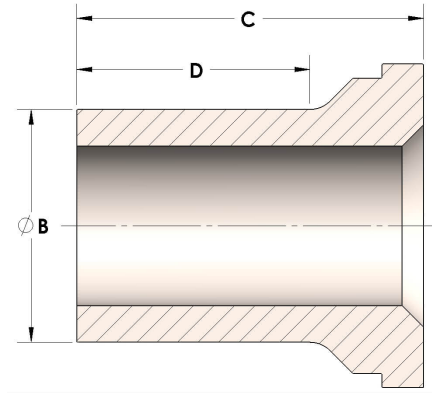


Product Category

H863R-08-M

Part Description

Male Tube Weld Tailpiece



## DIMENSIONS

B	0.50
C	1.00
D	0.680

## GENERAL

Pressure Rating	6000 PSI
Tailpiece Material	Monel®, ASTM B164, UNS N04405