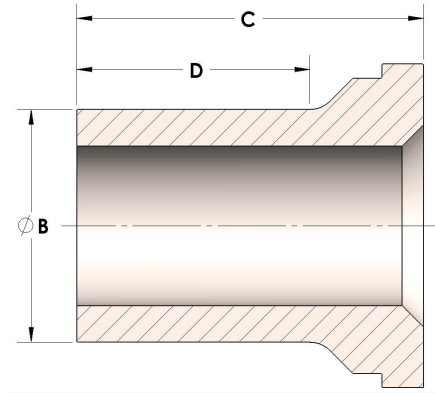


Product Category

H863R-12-S

Part Description

Male Tube Weld Tailpiece



## DIMENSIONS

B	0.75
C	1.31
D	0.940

## GENERAL

Pressure Rating	6000 PSI
Tailpiece Material	Carbon Steel, ASTM A108