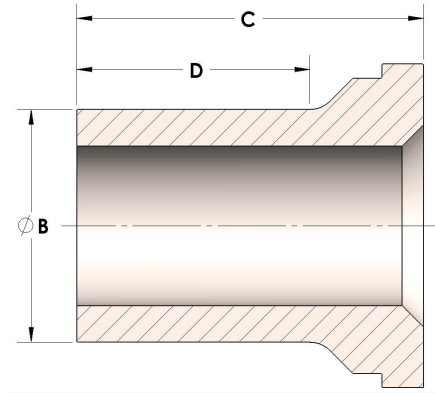


Product Category

H863R-16-SS316L

Part Description

Male Tube Weld Tailpiece



## DIMENSIONS

<b>B</b>	1.00
<b>C</b>	1.50
<b>D</b>	1.060

## GENERAL

<b>Pressure Rating</b>	6000 PSI
<b>Tailpiece Material</b>	316/L Stainless Steel, ASTM A276, UNS S31600/03