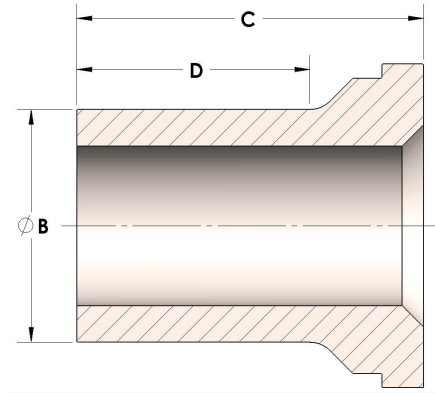


Product Category

H863R-20-SS316L

Part Description

Male Tube Weld Tailpiece



## DIMENSIONS

B	1.25
C	1.69
D	1.250

## GENERAL

Pressure Rating	3000 PSI
Tailpiece Material	316/L Stainless Steel, ASTM A276, UNS S31600/03