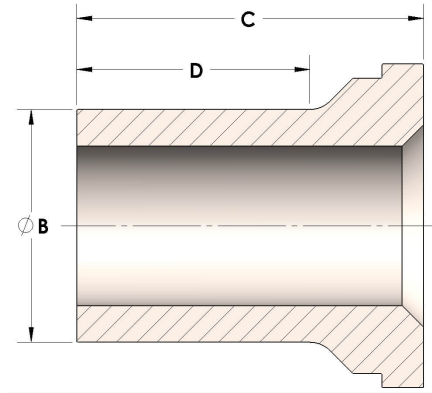


Product Category

Part Description

H863R-24-SS316L

Male Tube Weld Tailpiece



DIMENSIONS

B	1.50
C	1.88
D	1.380

GENERAL

Pressure Rating	3000 PSI
Tailpiece Material	316/L Stainless Steel, ASTM A276, UNS S31600/03