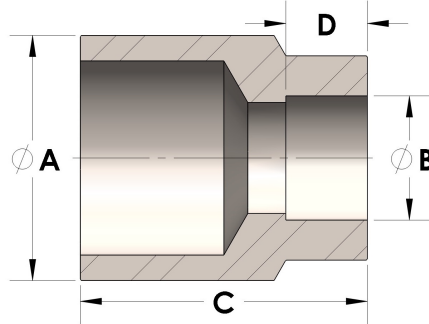


Product Category

H865-04-06-S

Part Description

Direct Weld/Braze Insert (Male Pipe X Tube SW)



## DIMENSIONS

A	0.540
B	0.38
C	0.88
D	0.250

## GENERAL

Pressure Rating	6000 PSI
Fitting Material	Carbon Steel, ASTM A108