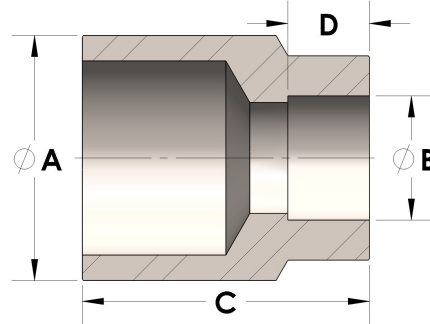


Product Category

H865-06-04-CUNI

Part Description

Direct Weld/Braze Insert (Male Pipe X Tube SW)



DIMENSIONS

A	0.675
B	0.25
C	0.88
D	0.190

GENERAL

Pressure Rating	4500 PSI
Fitting Material	Copper Nickel 70/30, MIL-C--15726F, UNS C71500