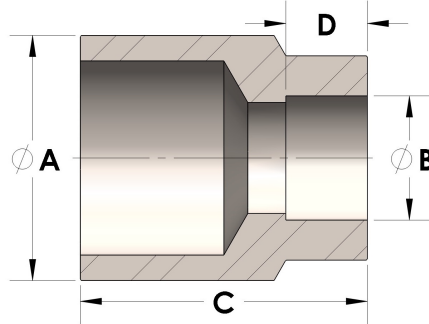


Product Category

H865-06-08-M

Part Description

Direct Weld/Braze Insert (Male Pipe X Tube SW)



DIMENSIONS

A	0.675
B	5.00
C	0.88
D	0.310

GENERAL

Pressure Rating	6000 PSI
Fitting Material	Monel®, ASTM B164, UNS N04405