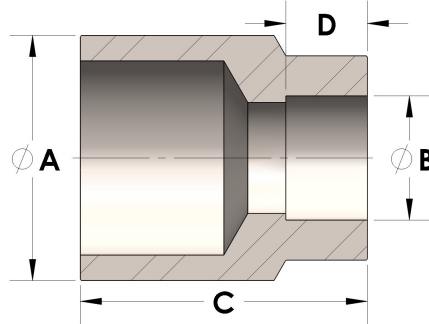


Product Category

H865-06-10-CUNI

Part Description

Direct Weld/Braze Insert (Male Pipe X Tube SW)



DIMENSIONS

| | |
|---|-------|
| A | 0.675 |
| B | 0.63 |
| C | 1.13 |
| D | 0.380 |

GENERAL

| | |
|------------------|--|
| Pressure Rating | 3000 PSI |
| Fitting Material | Copper Nickel 70/30, MIL-C--15726F, UNS C71500 |