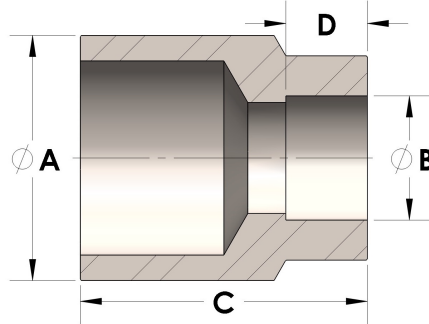


Product Category

H865-16-08-S

Part Description

Direct Weld/Braze Insert (Male Pipe X Tube SW)



DIMENSIONS

A	1.315
B	0.50
C	1.38
D	0.310

GENERAL

Pressure Rating	6000 PSI
Fitting Material	Carbon Steel, ASTM A108