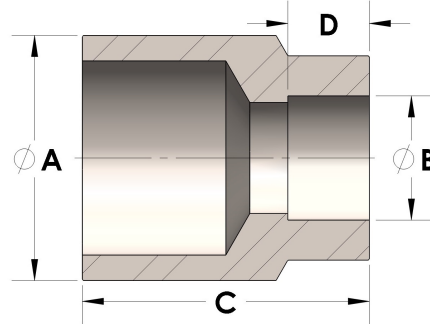


Product Category

H865-20-08-SS316L

Part Description

Direct Weld/Braze Insert (Male Pipe X Tube SW)



DIMENSIONS

| | |
|---|-------|
| A | 1.660 |
| B | 0.50 |
| C | 1.63 |
| D | 0.310 |

GENERAL

| | |
|------------------|---|
| Pressure Rating | 4500 PSI |
| Fitting Material | 316/L Stainless Steel, ASTM A276, UNS S31600/03 |