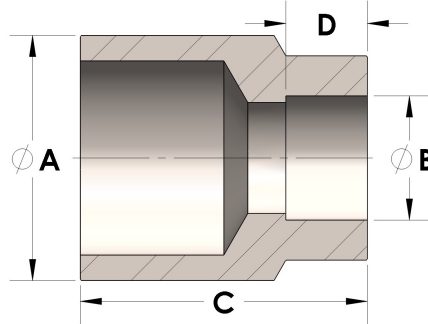


Product Category

H865-20-12-CUNI

Part Description

Direct Weld/Braze Insert (Male Pipe X Tube SW)



## DIMENSIONS

A	1.660
B	0.75
C	1.63
D	0.440

## GENERAL

Pressure Rating	3000 PSI
Fitting Material	Copper Nickel 70/30, MIL-C--15726F, UNS C71500