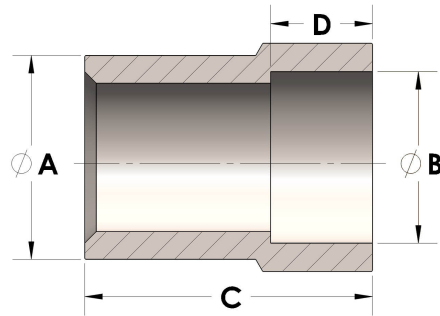


Product Category

H866-04-06-SS316L

Part Description

Direct Weld/Braze Insert (Male Tube X Pipe SW)



DIMENSIONS

A	0.250
B	0.68
C	1.25
D	0.380

GENERAL

Pressure Rating	6000 PSI
Fitting Material	316/L Stainless Steel, ASTM A276, UNS S31600/03